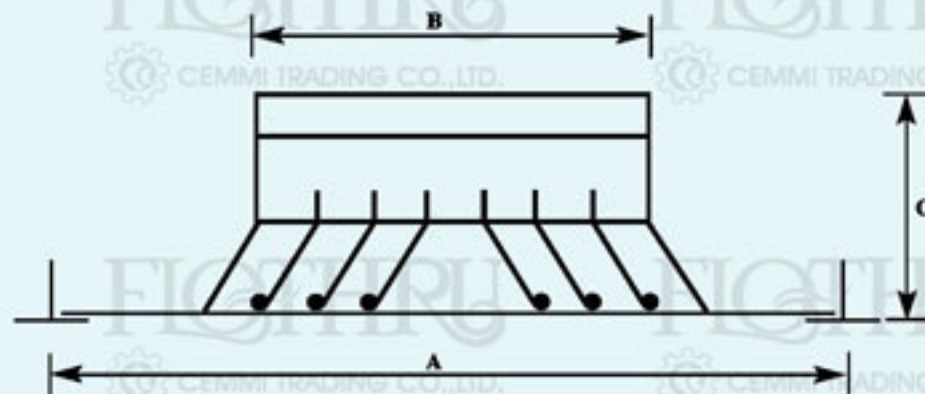


ANODIZED EXTRUDED ALUMINIUM AIR DIFFUSER

SQUARE CEILING DIFFUSER (VW TYPE)

หัวจ่ายลมเพดานสี่เหลี่ยมจตุรัสชนิดปีกกว้าง



A = 59.5 Cm

B = NECK SIZE -3/8

C = 2"

MODEL : VWSCD

SPECIAL MODEL FOR T-BAR LAY IN

ARRANGEMENT VWSCD+OBV : DIFFUSER WITH

OPPOSED BLADE VOLUME DAMPER ALSO AVAILABLE

ANODIZED EXTRUDED ALUMINIUM AIR DIFFUSER

SQUARE CEILING DIFFUSER

หัวจ่ายลมเพดานสี่เหลี่ยมจตุรัส



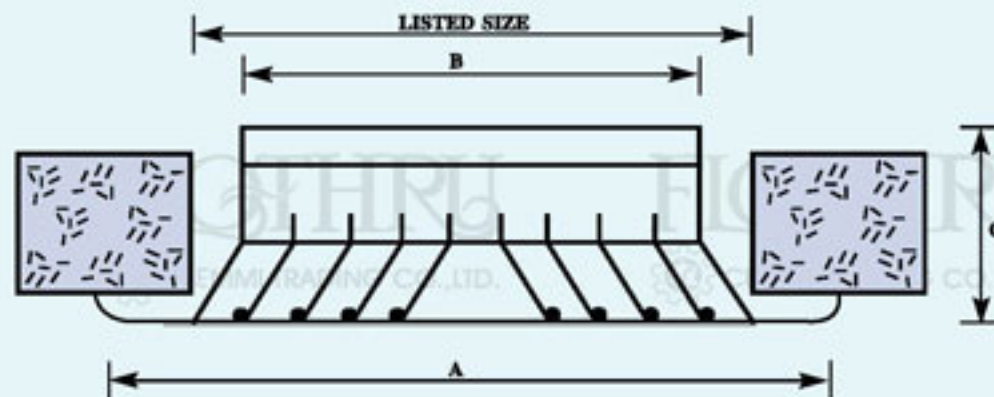
MODEL : SCD

SPECIAL SIZES AND CUSTOM MODEL, UPON REQUEST

SQUARE & RECTANGULAR CEILING DIFFUSER

ARRANGEMENT SCD+OBV : DIFFUSER WITH

OPPOSED BLADE VOLUME DAMPER ALSO AVAILABLE



LISTED SIZE	A	B	C
6" X 6"	9 3/16	5 5/8	1 3/8
8" X 8"	11 3/16	7 5/8	1 3/8
10" X 10"	13 3/16	9 5/8	1 3/8
12" X 12"	15 3/16	11 5/8	1 3/8
14" X 14"	17 3/16	13 5/8	1 3/8



CEMMI TRADING CO.,LTD.

FIQTHRU

ANODIZED EXTRUDED ALUMINIUM AIR DIFFUSER

SQUARE CEILING DIFFUSER

หัวจ่ายลมเพดานสี่เหลี่ยมจตุรัสชนิดคอมปาน



MODEL : WCD

SPECIAL SIZES AND CUSTOM MODEL, UPON REQUEST
SQUARE & RECTANGULAR CEILING DIFFUSER
ARRANGEMENT WCD+OBV : DIFFUSER WITH
OPPOSED BLADE VOLUME DAMPER ALSO AVAILABLE



WCD-1



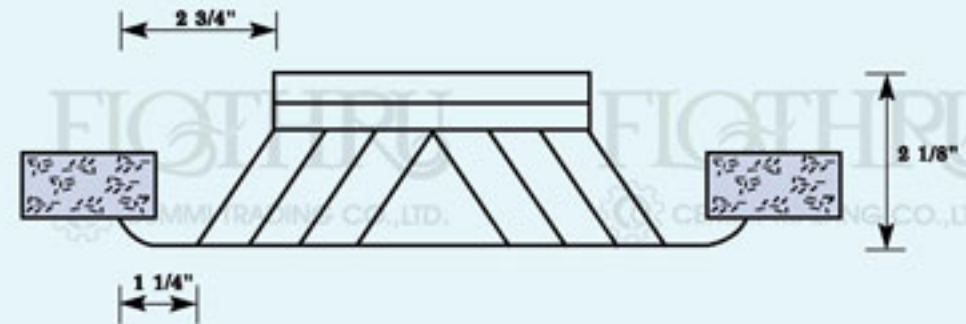
WCD-2



WCD-3



WCD-4

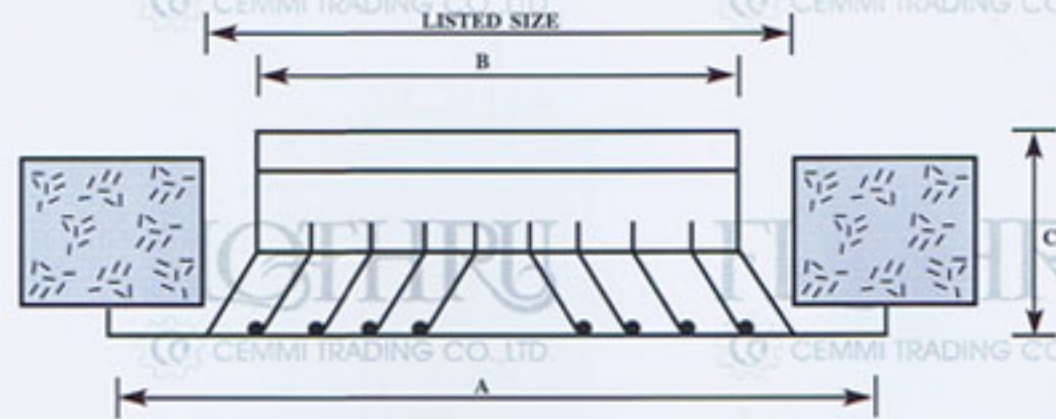
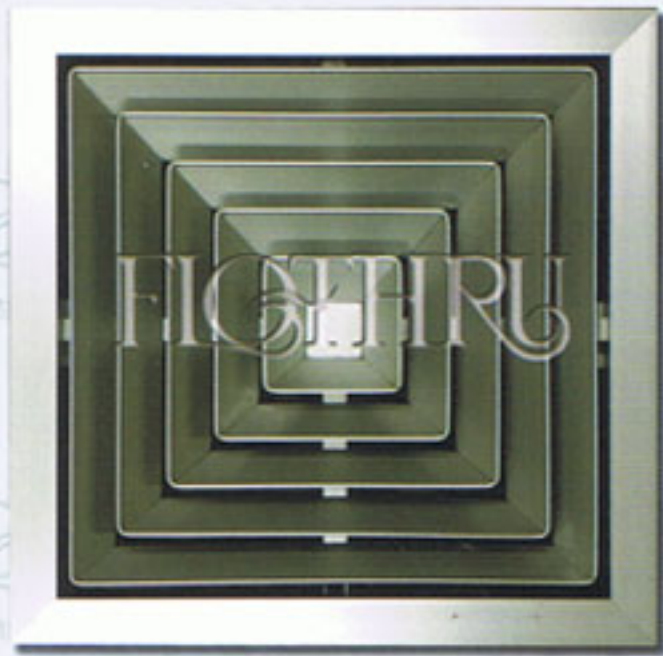




ANODIZED EXTRUDED ALUMINIUM AIR DIFFUSER

FLAT FLAME SQUARE CEILING DIFFUSER

หัวจ่ายลมเพดานสี่เหลี่ยมจตุรัสชนิดปีกเรียบ



MODEL : FSCD

SPECIAL SIZES AND CUSTOM MODEL, UPON REQUEST
ARRANGEMENT FSCD+OBV : DIFFUSER WITH
OPPOSED BLADE VOLUME DAMPER ALSO AVAILABLE

LISTED SIZE	A	B	C
6" X 6"	7 1/4	5 1/2	2
8" X 8"	9 1/4	7 1/2	2
10" X 10"	11 1/4	9 1/2	2
12" X 12"	13 1/4	11 1/2	2
14" X 14"	15 1/4	13 1/2	2